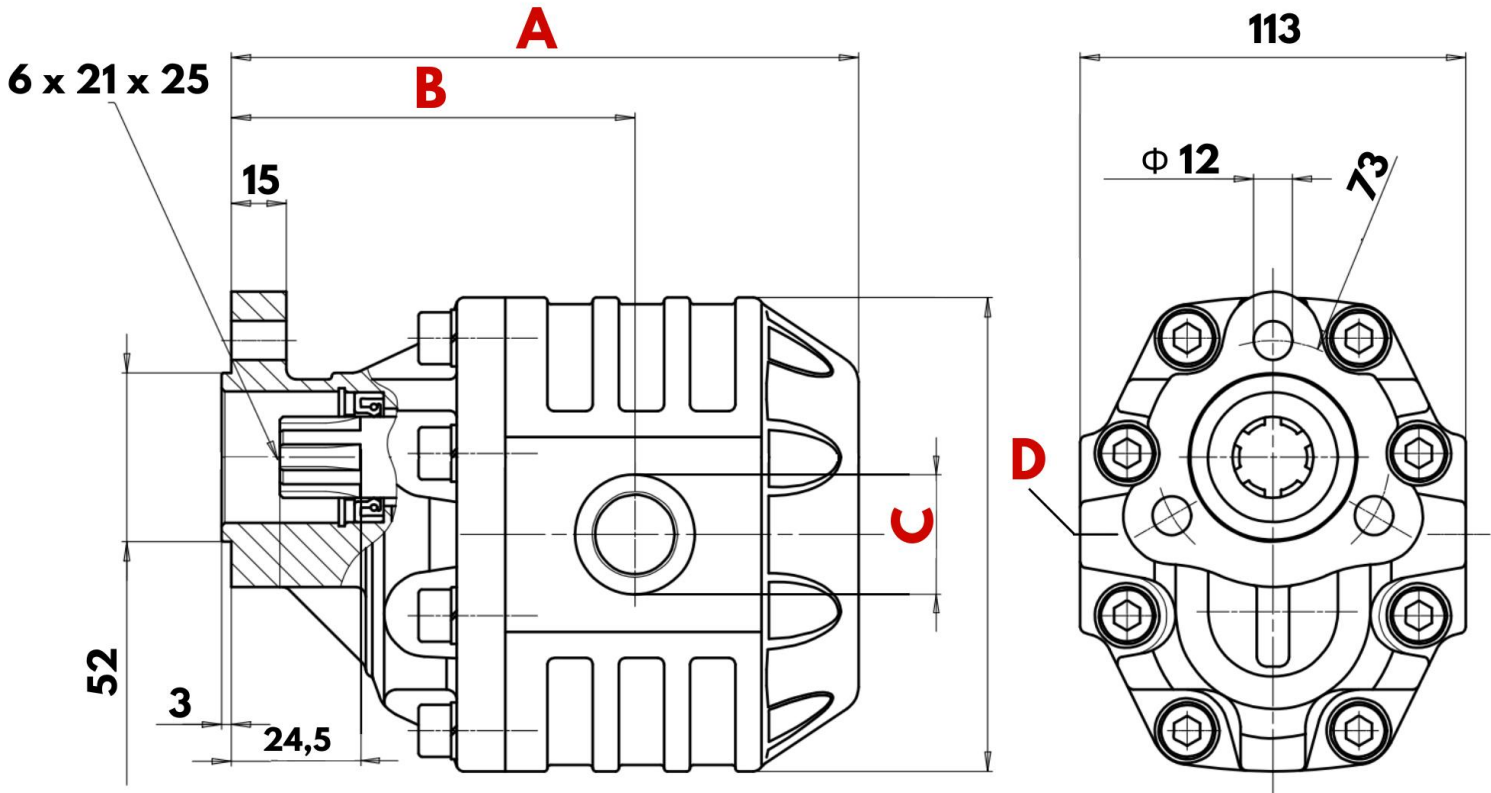


## DATASHEET – DIMENSIONS

### UNI 30



	UNI30			
	17cc	27cc	43cc	61cc
A (mm)	151,5		170,5	176,5
B (mm)	102		111	115
Max. working pressure (bar)	230	230	220	200
Max. pressure (bar)	250		240	220
C: Suction thread	1/2"	3/4"	1"	
D: Pressure thread				
Direction of rotation	Left			